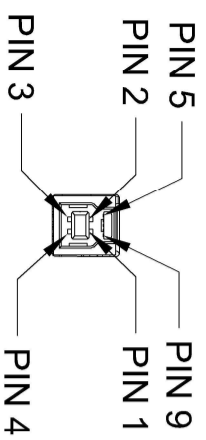


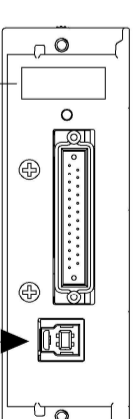
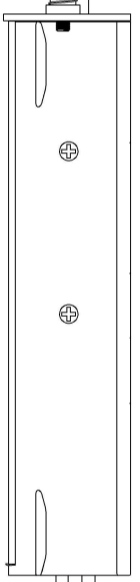
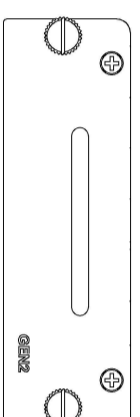
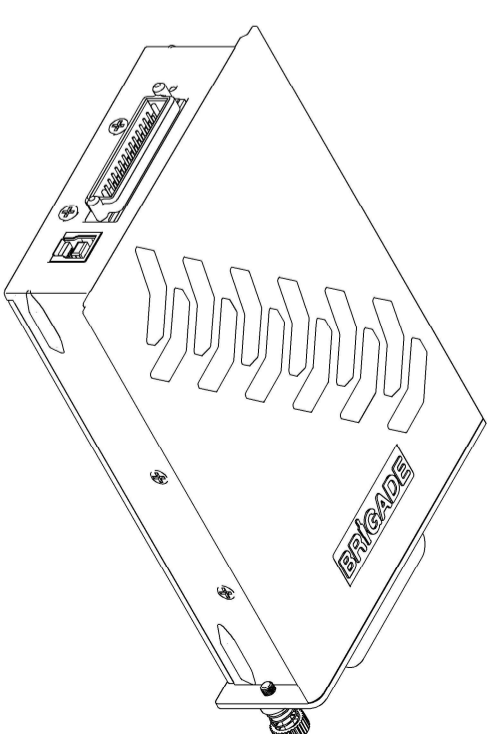
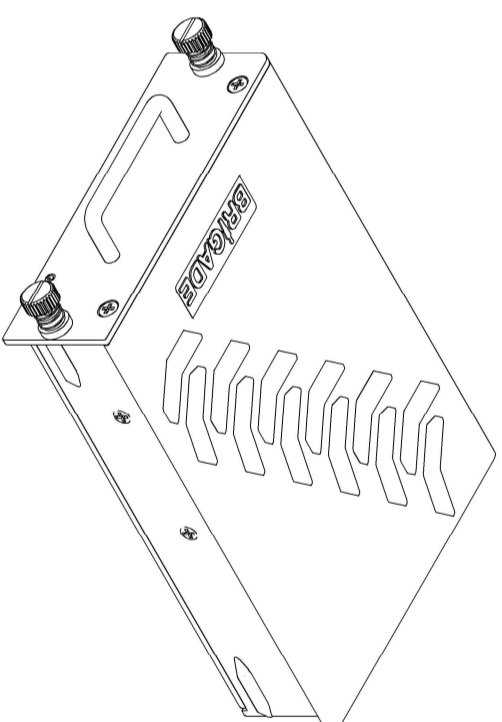
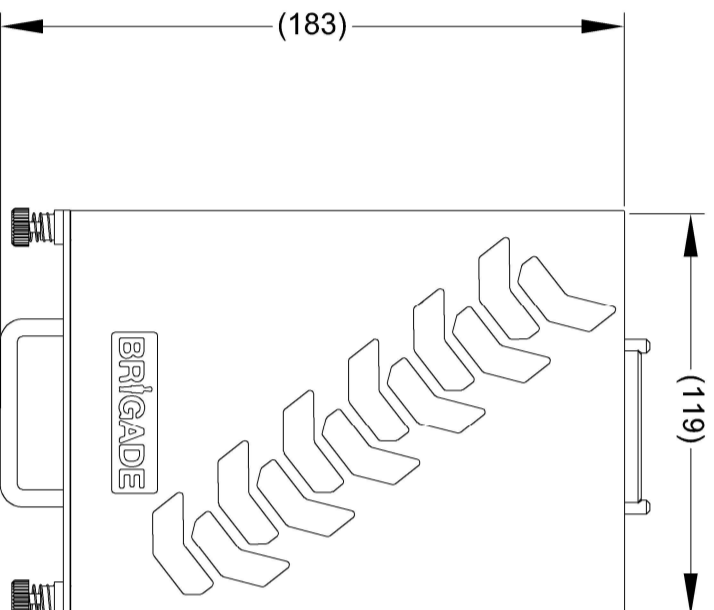
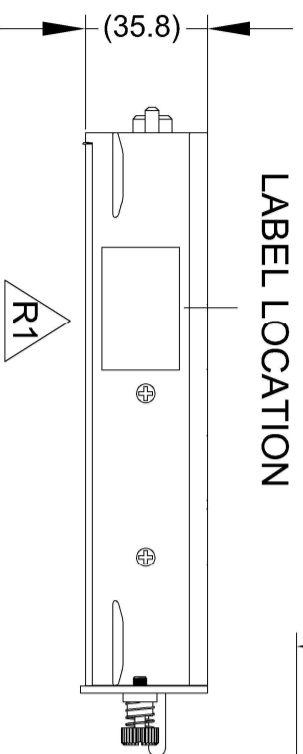
# VIEW A



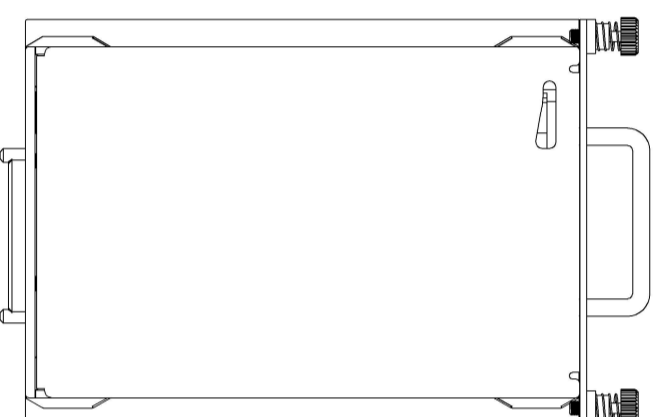
9-PIN FEMALE USB-B MATING FACE

PIN #	DESCRIPTION
1	+5V
2	USB DATA -
3	USB DATA +
4	GND
5	SS TX -
6	SS TX +
7	DRAIN GND
8	SS RX -
9	SS RX +

PRODUCT NUMBER LABEL LOCATION



SERIAL NUMBER LABEL LOCATION



ITEM	MODEL NUMBER	PART NUMBER	MODEL/DESCRIPTION
①	MDR-500-1-MCU-G2-CMR	6243	MDR-500 CADDY UNIT, 1TB HDD CMR (GEN2)
②	MDR-500-0.5-MCU-G2-SSD	6201	MDR-500 CADDY UNIT, 500GB SSD (GEN2)
③	MDR-500-1-MCU-G2-SSD	6202	MDR-500 CADDY UNIT, 1TB SSD (GEN2)
④	MDR-500-2-MCU-G2-SSD	6203	MDR-500 CADDY UNIT, 2TB SSD (GEN2)

- NOTES:
1. REFERENCE INSTRUCTION MANUAL FOR FUNCTIONALITY.
  2. NOT BACKWARDS COMPATIBLE WITH MDR-40XXX-XXXX.
  3. FOR ALL LABELS AND PACKAGING REFER TO MASTER BOM.
  4. ANY CUSTOMER MODIFICATION OF THIS PRODUCT CAUSING SUBSEQUENT FAILURE IS NOT A LIABILITY OF BRIGADE ELECTRONICS GROUP PLC.
  5. HDD / SSD STORAGE CAPACITY INSTALLED INSIDE CADDY UNIT DEPENDS ON MODEL.
  6. WHEN INSERTED ENSURE THUMB SCREWS ARE TIGHTENED.

PROPRIETARY NOTICE

THIS DESIGN AND TECHNICAL INFORMATION APPEARING ON THIS DRAWING IS THE PROPERTY OF BRIGADE ELECTRONICS, AND IS DISCLOSED IN CONFIDENCE. IT IS NOT TO BE COPIED, REPRODUCED, REVEALED TO OR EXPROPRIATED BY OTHERS, EITHER IN WHOLE OR IN PART WITHOUT THE EXPRESS WRITTEN CONSENT OF BRIGADE ELECTRONICS.

Revision Notes			
R1 - LOCATION OF SN LABEL AND PD LABEL CORRECTED AND SMR MODELS REMOVED AS PER P14.94			
APA: PBU	Drawn: F. ADEMUMI	Checked: S. ZHANG	Approved: L. CAMPING
			Date: 01/03/2021

**BRIGADE**  
www.brigade-electronics.com

Assembly Pl Approval P. BU		Approved by R. PENTLEY		Checked by J. STEWART		Drawn by F. ADEMUMI	
Angle of Projection		Units mm	Scale N/A	Released 13/10/20		Assembly Ref -	
Third Angle		Status RELEASED	MDR-500-XXXX-MCU-XXXX-XXX		Part No BE-004443-01-20		